

Description

The Combo solution consists in one MPSS rotary union specifically designed to be used in conjunction with Deublin Slip-Rings. It is available with 1, 2, 4, 6 and 8 passages and 3 different connections port sizes: G 1/4", G 3/8" and G 1/2". The unions are designed with interface on the rotor back to mate with the Slip-Rings and have a large central bore for cable passage. Specific anti-rotation bracket is included to prevent relative movement between rotary components.

Model	Industry	Application
1 to 8 passages	Packaging	Packaging, Automation, Rotary Table

Mechanical Features

Passage no.	1 - 2 - 4 - 6 - 8
Passage dimension	Ø 6 - Ø 10 - Ø 12 mm
Housing thread connections	G 1/4" - G 3/8" - G 1/2"
Axial Rotor connections	Ø 6 - Ø 10 - Ø 12 mm with O-ring seal
Central bore for cable passage	Ø 30 mm
Housing Material	Carbon steel with blackening coating
Rotor Material	AISI420B
Deublin Soft Seal	Type DPG-G
Drainage	Plain holes
Drainage configuration	Between passages and bearing protection

Combo Features

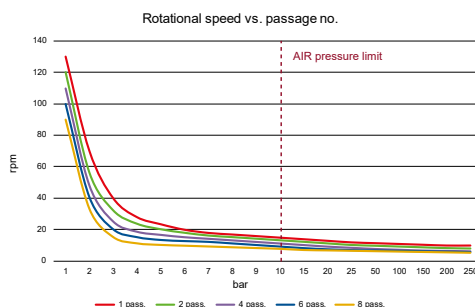
Slip-Ring suitable models	SRD - SRC - SRH - SRT families
Anti-Rotation bracket	Included
Radial rotor flange adaptor	Optional

Media Features

Applicable media	Inert non flammable compressed gasses + Hydraulic Oil
Max. operating pressure	10 bar (inert gas) - 250 bar (hydraulic oil)
Max. line pressure	12 bar (inert gas) - 300 bar (hydraulic oil)
Test pressure	15 bar (inert gas) - 450 bar (hydraulic oil)
Max. operating media temp.	50 °C
Max. environment temp.	70 °C
Max rotational speed	see speed chart

Product Codes

Port size	Pass. #	Code
G 1/4"	1	CMB-M010803
G 1/4"	2	CMB-M020803
G 1/4"	4	CMB-M040803
G 1/4"	6	CMB-M060803
G 1/4"	8	CMB-M080803
G 3/8"	1	CMB-M011003
G 3/8"	2	CMB-M021003
G 3/8"	4	CMB-M041003
G 3/8"	6	CMB-M061003
G 3/8"	8	CMB-M081003
G 1/2"	1	CMB-M011203
G 1/2"	2	CMB-M021203
G 1/2"	4	CMB-M041203
G 1/2"	6	CMB-M061203
G 1/2"	8	CMB-M081203



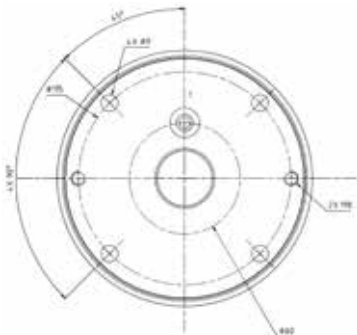
This chart is representing standard operating conditions. Deviations might be possible under custom designs.



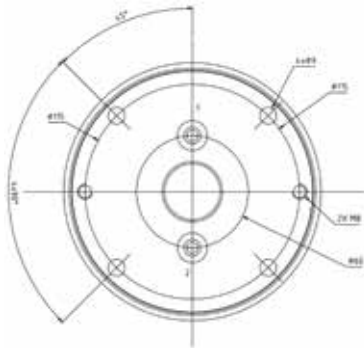
This series includes additional models. For more information contact your nearest Deublin Division/Distributor or www.deublin.com

"Deublin" and the Deublin logo are trademarks of Deublin Company and are registered in the United States and other countries.

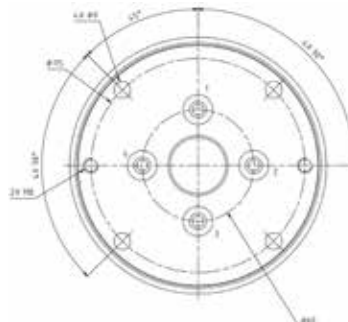
1 passage



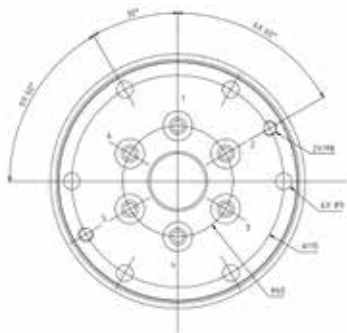
2 passages



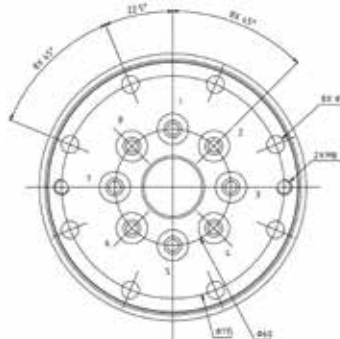
4 passages



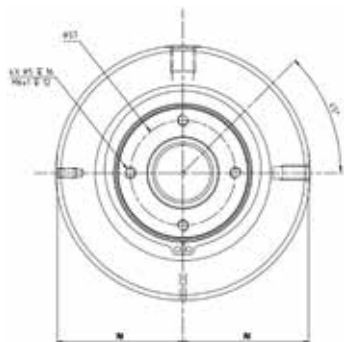
6 passages



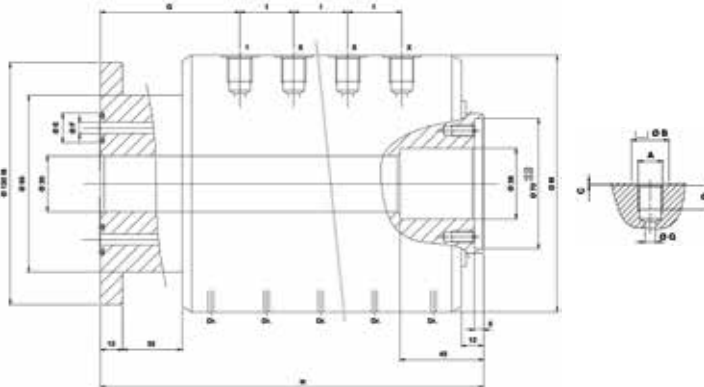
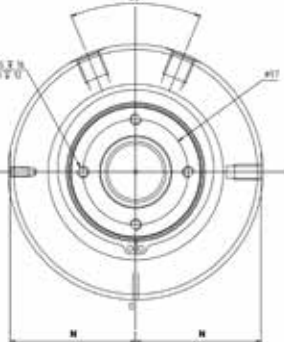
8 passages



1 - 2 & 4 passages
ports location



6 & 8 passages
ports location



Passage no.	DN	A	B	C	D	E	F	G	H	I	L	M	N
1	6	G 1/4"	20	1	13	16	6	75	117	-	-	138	68
	10	G 3/8"	23	1.5	13	19	10	77	121	-	-	140	68.5
	12	G 1/2"	28	1.5	15	21	12	78	123	-	-	143	70
2	6	G 1/4"	20	1	13	16	6	75	146	29	60	138	68
	10	G 3/8"	23	1.5	13	19	10	77	154	33	70	140	68.5
	12	G 1/2"	28	1.5	15	21	12	78	158	35	70	143	70
4	6	G 1/4"	20	1	13	16	6	75	204	29	60	138	68
	10	G 3/8"	23	1.5	13	19	10	77	220	33	70	140	68.5
	12	G 1/2"	28	1.5	15	21	12	78	228	35	70	143	70
6	6	G 1/4"	20	1	13	16	6	75	262	29	60	138	68
	10	G 3/8"	23	1.5	13	19	10	77	286	33	70	140	68.5
	12	G 1/2"	28	1.5	15	21	12	78	298	35	70	143	70
8	6	G 1/4"	20	1	13	16	6	75	320	29	60	138	68
	10	G 3/8"	23	1.5	13	19	10	77	352	33	70	140	68.5
	12	G 1/2"	28	1.5	15	21	12	78	368	35	70	143	70

This series includes additional models.
For more information contact your nearest Deublin Division/Distributor or www.deublin.com
"Deublin" and the Deublin logo are trademarks of Deublin Company and are registered in the United States and other countries.