

Description

The Combo “S” solution consists of an MPSS rotary union specifically designed to be used in conjunction with Deublin Slip-Rings belonging to the SRD and SRC families. It is available with either 1, 2 and 4 passages and 3 different connections port sizes: G ¼”, G ⅜” and G ½”. The unions are designed to easily interface on the rotor back with the Slip-Rings and have a large central bore for cable passage. Specific anti-rotation bracket is included to prevent relative movement between rotary components.

Model	Industry	Application
1 to 4 passages	Packaging	Packaging, Automation, Rotary Table

Mechanical Features

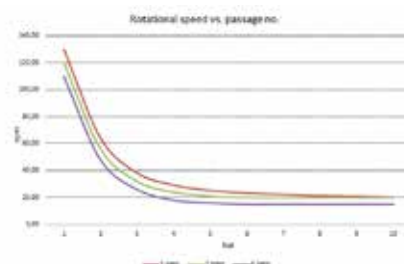
Passage no.	1 - 2 - 4
Passage dimension	â 6 - â 10 - â 12 mm
Housing thread connections	G ¼” - G ⅜” - G ½”
Axial Rotor connections	â 6 - â 10 - â 12 mm with O-ring seal
Central bore for cable passage	â 30 mm
Housing Material	Aluminum with anodizing coating
Rotor Material	AISI420B
Deublin Soft Seal	Type DPG-G
Drainage	Plain holes
Drainage configuration	Between passages and bearing protection

Combo Features

Slip-Ring suitable models	SRD & SRC families
Anti-Rotation bracket	Included
Radial rotor flange adaptor	Optional

Media Features

Applicable media	Non flammable compressed gasses (Dry or Lub. Air - Inert Gasses) - Vacuum
Max. operating pressure	10 bar
Max. line pressure	12 bar
Max. Vacuum level	0,2 bar A
Max. operating media temp.	50 °C
Max. environment temp.	70 °C
Max rotational speed	see speed chart

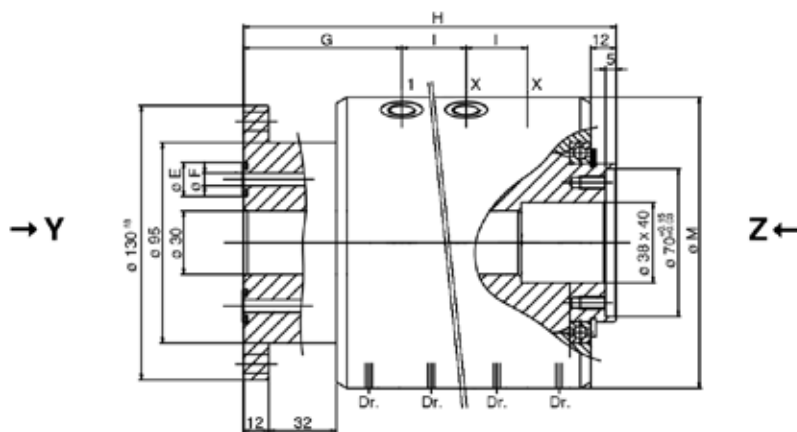
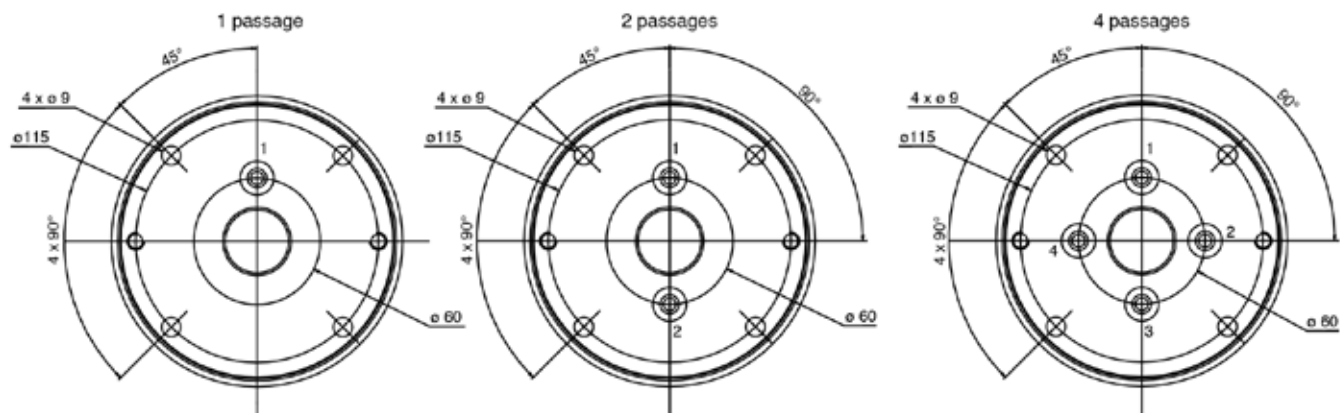


Product Codes

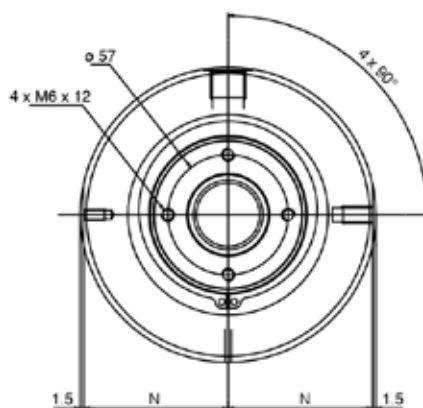
Port size	Pass. #	Code
G ¼”	1	CMB-S010801
G ¼”	2	CMB-S020801
G ¼”	4	CMB-S040801
G ⅜”	1	CMB-S011001
G ⅜”	2	CMB-S021001
G ⅜”	4	CMB-S041001
G ½”	1	CMB-S011201
G ½”	2	CMB-S021201
G ½”	4	CMB-S041201



view from Y



view from Z



Passage no.	DN	A	B	C	D	E	F	G	H	I	L	M	N	P
1	6	G 1/4"	20	1	13	16	6	75	117	-	-	138	68	75
	10	G 3/8"	23	1.5	13	19	10	77	121	-	-	140	68.5	77
	12	G 1/2"	28	1.5	15	21	12	78	123	-	-	143	70	78
2	6	G 1/4"	20	1	13	16	6	75	146	29	60	138	68	-
	10	G 3/8"	23	1.5	13	19	10	77	154	33	70	140	68.5	-
	12	G 1/2"	28	1.5	15	21	12	78	158	35	70	143	70	-
4	6	G 1/4"	20	1	13	16	6	75	204	29	60	138	68	-
	10	G 3/8"	23	1.5	13	19	10	77	220	33	70	140	68.5	-
	12	G 1/2"	28	1.5	15	21	12	78	228	35	70	143	70	-

This series includes additional models.
For more information contact your nearest Deublin Division/Distributor or www.deublin.com