

Description

The SRD-20 is a reliable, cost-effective, and proven product that provides excellent performance for many applications. It is a very versatile slip ring due to its unique design. This slip ring can transmit both signal and power effectively. Commonly used on packaging, labeling, and filling machines, and in connection with a Rotary Union.

Model Family	Industry	Application
SRD-20	Multiple	Packaging, Automation, Rotary Table

Electrical Features

Electrical Channels	Up to 32
Voltage, max	640 VAC/DC for power – 30VDC for signal
Current, max steady state	10 A power, 1 A signal
Data Communication Speed	Up to 100 Mbps for signal
Conductor Ring	Gold Plated Copper Alloy
Brush Contact	Alloy monofilament or polyfilament
Wiring	1 mm ² power/0,34 mm ² signal
Connection, stator	Cordgrip
Connection, rotor	Cordgrip

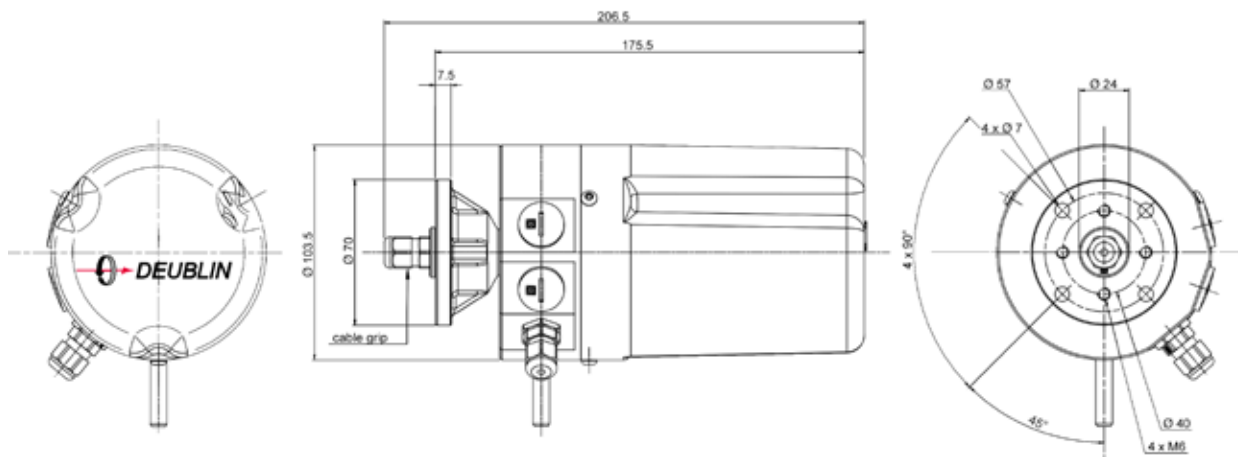
Mechanical Features

Speed, max.	250 RPM
Direction of Rotation	Bi-Directional
IP Rating	Standard IP55 - Max IP67
Mounting Orientation	Vertical or Horizontal
Temperature, operating	-20 °C to +80 °C
Temperature, storage	-40 °C to +90 °C
Material, housing	Anodized Aluminum
Material, rotor	Anodized Aluminum
Material, cover	Carbon Graphite Filled PA



Versions

SRD-20 (standard)	Cordgrip connection both on rotor and stator side, 3 m flying leads
Options	Connectors, Mounting Flanges, Painted covers, flying lead length, customized anti-rotation, internal heater for low temperature applications



**This series includes additional models.
For more information contact your nearest Deublin Division/Distributor or www.deublin.com**