

TECHNICAL Data Sheet

This Technical Documentation is referring to Deublin Slip-Ring SRX family, designed and produced in accordance to current Directives 2014/34/UE - 2014/35/UE - 2014/30/UE - 2006/42/CE - RoHS 2011/65/UE and suitable to be used in environment subjected to atmosphere with presence of dust potentially explosive defined as Zone 21 and 22 (Ex)II 2 D Ex tb IIIC T70°C or T75°C Db IP65).

Model Family	Industry	Application
ATEX SRX family	Various	Any machinery requiring ATEX Slip-Ring

Main Features

Cover	Aluminum material
Orientation	Vertical mounting with cover upward
Rotational contact elements	Conductor rings and brushes with 2 meter long wires
Cable inlet: conductor rings	Cordgrip located on the cover
Cable inlet: brushes	Cordgrip located on the housing
Condensing prevention	Specific model available equipped with thermal-resistance self-controlled (PTC)
Composition: Single solution	Conductor rings of 7 A - 16 A or 34 A
Composition: Multiple solution	Conductor rings combination of 4 A - 7 A - 16 A or 34 A Signal conductor rings combinations are possible
Conformities	Technical standards CEI EN 60079-0 / CEI EN 60079-31 / UNI EN 1127-1 / CEI EN 60529 / CEI EN 60529/A1
Directives	2014/34/UE - 2014/35/UE - 2014/30/UE - 2006/42/CE - RoHS 2011/65/UE

Electrical Features

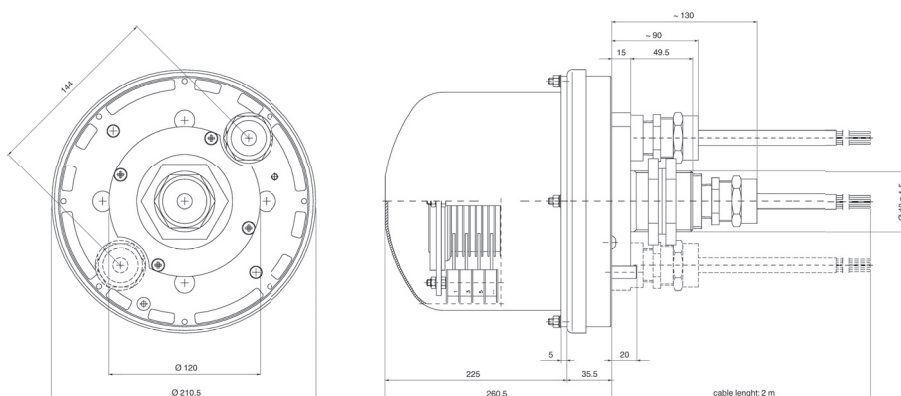
Nominal Voltage	400 VAC / VDC
Nominal Current	lth 4A - 7A - 16A - 34A
Protection grade	IP 65 at max. rotational speed of 50 rpm
Testing Voltage	2,5 kV for 1 min.
Temperatures	T 70 °C = -20 °C ÷ +40 °C T 75 °C = -20 °C ÷ +50 °C

Versions available upon request

Conductor rings	Signal conductor rings (analog/digital)
Cable lengths	Cable lengths dimensions according requests

Standard Conductor Rings compositions

Single composition	4 x 7A + PTC	6 x 7A	10 x 7A + PTC	12 x 7A	20 x 7A + PTC	22 x 7A
	10 x 16A	4 x 34A + PTC	4 x 34A			
Multiple composition	4 x 16A + 16 x 4A	4 x 16A + 4 x 7A + PTC	4 x 16A + 6 x 7A	4 x 16A + 8 x 7A + PTC	4 x 16A + 10 x 7A	8 x 16A + 6 x 4A + PTC
	8 x 16A + 8 x 4A	8 x 16A + 4 x 7A	4 x 34A + 6 x 4A	4 x 34A + 2 x 7A	4 x 34A + 4 x 7A	



This series includes additional models.
For more information contact your nearest Deublin Division/Distributor or www.deublin.com
"Deublin" and the Deublin logo are trademarks of Deublin Company and are registered in the United States and other countries.