

Description

The SRH-22T is a reliable, cost-effective, and proven product that provides excellent performance for many applications. It is a very versatile slip ring due to its unique design. This slip ring can transmit both signal and power effectively. Commonly used on packaging, labelling and filling machines also in combination with rotating union for media transmission.

Model Family	Industry	Application
SRH-22T	Multiple	Packaging, Automation, Rotary Table

Electrical Features

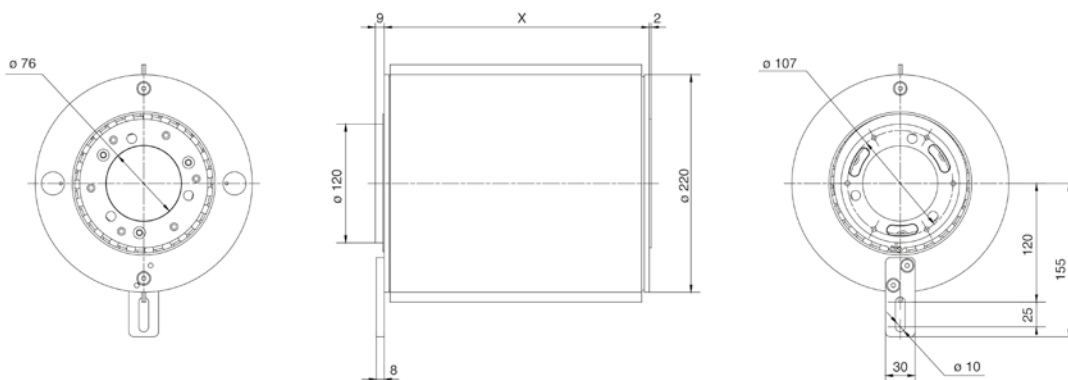
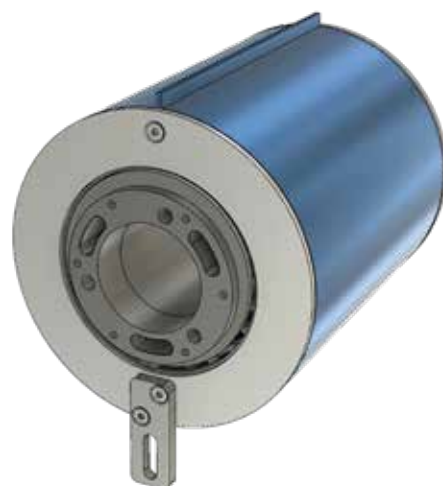
Electrical Channels	Up to 50
Voltage, max	500 VAC/DC for power – 30VDC for signal
Current, max steady state	10/20/50/100 A power, 1 A signal
Data Communication Speed	RS485/CanOpen/Profibus
Conductor Ring	Bronze (power) - Silver plated (signal)
Brush Contact	Metal graphite (power) - silver graphite (signal)
Wiring	according power & signal
Connection, stator	Cordgrip
Connection, rotor	flying leads wire

Mechanical Features

Speed, max.	60 RPM
Direction of Rotation	Bi-Directional
IP Rating	IP55
Mounting Orientation	Vertical or Horizontal
Temperature, operating	-20 °C to +70 °C
Temperature, storage	-40 °C to +80 °C
Material, housing	Aluminum
Material, rotor	Galvanized steel
Material, cover	Aluminum/Stainless Steel

Versions

Standard	Cordgrip with 3 m long lead wires on both rotor and housing
Options	Connectors, Mounting flanges, flying lead length, customized anti-rotation, internal heater for low temp. application.



value "X" is depending by channels no.

This series includes additional models.
 For more information contact your nearest Deublin Division/Distributor or www.deublin.com
 "Deublin" and the Deublin logo are trademarks of Deublin Company and are registered in the United States and other countries.