

## Description

The Combo solution consists in one MPSS rotary union specifically designed to be used in conjunction with Deublin Slip-Rings. It is available with 1, 2, 4, 6 and 8 passages and 3 different connections port sizes: G 1/4", G 3/8" and G 1/2". The unions are designed with interface on the rotor back to mate with the Slip-Rings and have a large central bore for cable passage. Specific anti-rotation bracket is included to prevent relative movement between rotary components.

| Model           | Industry  | Application                         |
|-----------------|-----------|-------------------------------------|
| 1 to 8 passages | Packaging | Packaging, Automation, Rotary Table |

### Mechanical Features

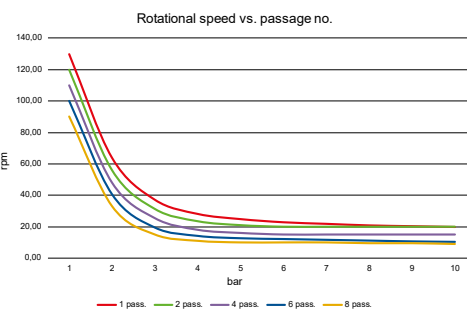
|                                |   |
|--------------------------------|---|
| Passage no.                    | 1 - 2 - 4 - 6 - 8                       |
| Passage dimension              | Ø 6 - Ø 10 - Ø 12 mm                    |
| Housing thread connections     | G 1/4" - G 3/8" - G 1/2"                |
| Axial Rotor connections        | Ø 6 - Ø 10 - Ø 12 mm with O-ring seal   |
| Central bore for cable passage | Ø 30 mm                                 |
| Housing Material               | Aluminum with anodizing coating         |
| Rotor Material                 | AISI420B                                |
| Deublin Soft Seal              | Type DPG-G                              |
| Drainage                       | Plain holes                             |
| Drainage configuration         | Between passages and bearing protection |

### Combo Features

|                             |                                |
|-----------------------------|--------------------------------|
| Slip-Ring suitable models   | SRD - SRC - SRH - SRT families |
| Anti-Rotation bracket       | Included                       |
| Radial rotor flange adaptor | Optional                       |

### Media Features

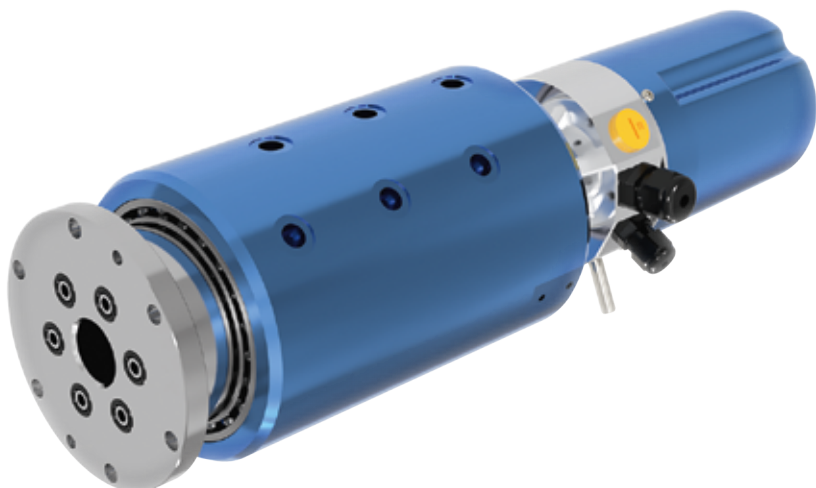
|                            |   |
|----------------------------|---|
| Applicable media           | Inert non flammable compressed gasses (Dry or Lub. Air - Inert Gasses) - Vacuum |
| Max. operating pressure    | 10 bar  |
| Max. line pressure         | 12 bar  |
| Max. Vacuum level          | 0,2 bar A   |
| Max. operating media temp. | 50 °C   |
| Max. environment temp.     | 70 °C   |
| Max rotational speed       | see speed chart   |



This chart is representing standard operating conditions. Deviations might be possible under custom designs.

### Product Codes

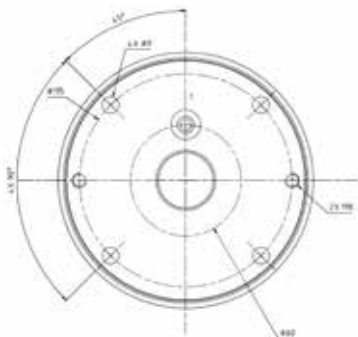
| Port size | Pass. # | Code        |
|-----------|---------|-------------|
| G 1/4"    | 1       | CMB-S010801 |
| G 1/4"    | 2       | CMB-S020801 |
| G 1/4"    | 4       | CMB-S040801 |
| G 1/4"    | 6       | CMB-S060801 |
| G 1/4"    | 8       | CMB-S080801 |
| G 3/8"    | 1       | CMB-S011001 |
| G 3/8"    | 2       | CMB-S021001 |
| G 3/8"    | 4       | CMB-S041001 |
| G 3/8"    | 6       | CMB-S061001 |
| G 3/8"    | 8       | CMB-S081001 |
| G 1/2"    | 1       | CMB-S011201 |
| G 1/2"    | 2       | CMB-S021201 |
| G 1/2"    | 4       | CMB-S041201 |
| G 1/2"    | 6       | CMB-S061201 |
| G 1/2"    | 8       | CMB-S081201 |



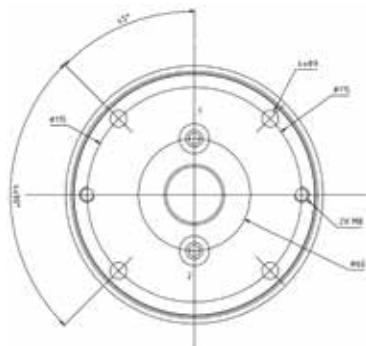
**This series includes additional models.**  
**For more information contact your nearest Deublin Division/Distributor or [www.deublin.com](http://www.deublin.com)**

*"Deublin" and the Deublin logo are trademarks of Deublin Company and are registered in the United States and other countries.*

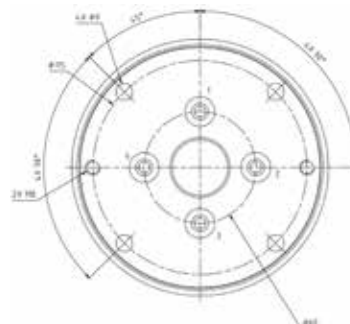
1 passage



2 passages



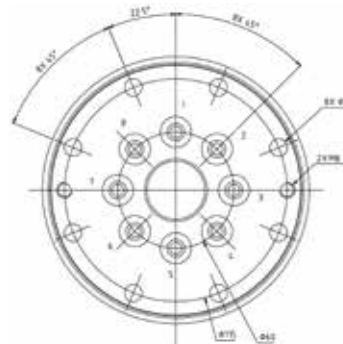
4 passages



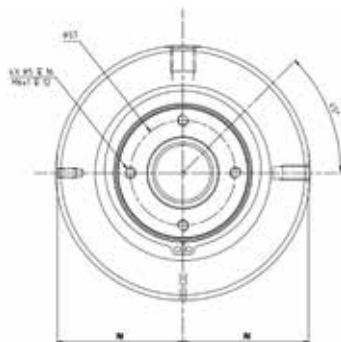
6 passages



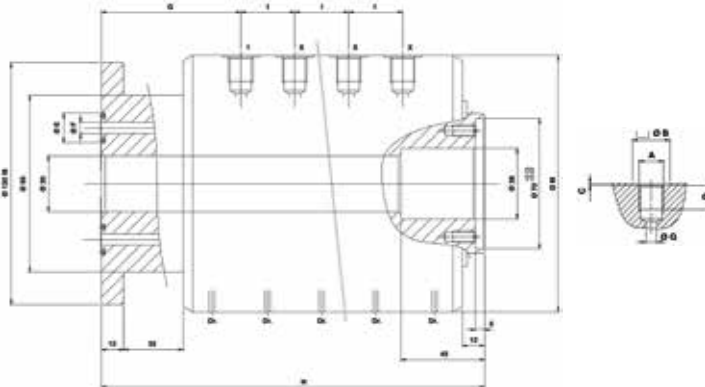
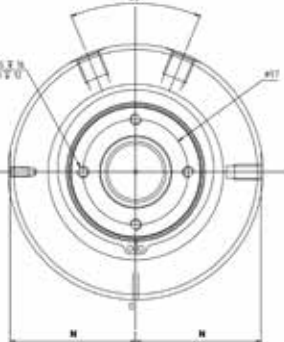
8 passages



1 - 2 & 4 passages  
ports location



6 & 8 passages  
ports location



| Passage no. | DN | A      | B  | C   | D  | E  | F  | G  | H   | I  | L  | M   | N    |
|-------------|----|--------|----|-----|----|----|----|----|-----|----|----|-----|------|
| 1           | 6  | G 1/4" | 20 | 1   | 13 | 16 | 6  | 75 | 117 | -  | -  | 138 | 68   |
|             | 10 | G 3/8" | 23 | 1.5 | 13 | 19 | 10 | 77 | 121 | -  | -  | 140 | 68.5 |
|             | 12 | G 1/2" | 28 | 1.5 | 15 | 21 | 12 | 78 | 123 | -  | -  | 143 | 70   |
| 2           | 6  | G 1/4" | 20 | 1   | 13 | 16 | 6  | 75 | 146 | 29 | 60 | 138 | 68   |
|             | 10 | G 3/8" | 23 | 1.5 | 13 | 19 | 10 | 77 | 154 | 33 | 70 | 140 | 68.5 |
|             | 12 | G 1/2" | 28 | 1.5 | 15 | 21 | 12 | 78 | 158 | 35 | 70 | 143 | 70   |
| 4           | 6  | G 1/4" | 20 | 1   | 13 | 16 | 6  | 75 | 204 | 29 | 60 | 138 | 68   |
|             | 10 | G 3/8" | 23 | 1.5 | 13 | 19 | 10 | 77 | 220 | 33 | 70 | 140 | 68.5 |
|             | 12 | G 1/2" | 28 | 1.5 | 15 | 21 | 12 | 78 | 228 | 35 | 70 | 143 | 70   |
| 6           | 6  | G 1/4" | 20 | 1   | 13 | 16 | 6  | 75 | 262 | 29 | 60 | 138 | 68   |
|             | 10 | G 3/8" | 23 | 1.5 | 13 | 19 | 10 | 77 | 286 | 33 | 70 | 140 | 68.5 |
|             | 12 | G 1/2" | 28 | 1.5 | 15 | 21 | 12 | 78 | 298 | 35 | 70 | 143 | 70   |
| 8           | 6  | G 1/4" | 20 | 1   | 13 | 16 | 6  | 75 | 320 | 29 | 60 | 138 | 68   |
|             | 10 | G 3/8" | 23 | 1.5 | 13 | 19 | 10 | 77 | 352 | 33 | 70 | 140 | 68.5 |
|             | 12 | G 1/2" | 28 | 1.5 | 15 | 21 | 12 | 78 | 368 | 35 | 70 | 143 | 70   |

**This series includes additional models.**  
**For more information contact your nearest Deublin Division/Distributor or [www.deublin.com](http://www.deublin.com)**  
*"Deublin" and the Deublin logo are trademarks of Deublin Company and are registered in the United States and other countries.*