

Description

The Combo “L” solution consists of an MPSS rotary union specifically designed to be used in conjunction with Deublin Slip-Rings belonging to the SRD and SRC families. It is available with either 6 and 8 passages and 3 different connections port sizes: G ¼”, G ⅜” and G ½”. The unions are designed to easily interface on the rotor back with the Slip-Rings and have a large central bore for cable passage. Specific anti-rotation bracket is included to prevent relative movement between rotary components.

| Model | Industry | Application |
|-----------------|-----------|-------------------------------------|
| 6 to 8 passages | Packaging | Packaging, Automation, Rotary Table |

Mechanical Features

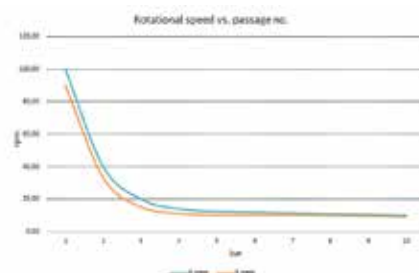
| | |
|--------------------------------|---|
| Passage no. | 6 - 8 |
| Passage dimension | Ø 6 - Ø 10 - Ø 12 mm |
| Housing thread connections | G ¼” - G ⅜” - G ½” |
| Axial Rotor connections | Ø 6 - Ø 10 - Ø 12 mm with O-ring seal |
| Central bore for cable passage | Ø 30 mm |
| Housing Material | Aluminum with anodizing coating |
| Rotor Material | AISI420B |
| Deublin Soft Seal | Type DPG-G |
| Drainage | Plain holes |
| Drainage configuration | Between passages and bearing protection |

Combo Features

| | |
|-----------------------------|--------------------|
| Slip-Ring suitable models | SRD & SRC families |
| Anti-Rotation bracket | Included |
| Radial rotor flange adaptor | Optional |

Media Features

| | |
|----------------------------|---|
| Applicable media | Non flammable compressed gasses (Dry or Lub. Air - Inert Gasses) - Vacuum |
| Max. operating pressure | 10 bar |
| Max. line pressure | 12 bar |
| Max. Vacuum level | 0,2 bar A |
| Max. operating media temp. | 50 °C |
| Max. environment temp. | 70 °C |
| Max rotational speed | see speed chart |



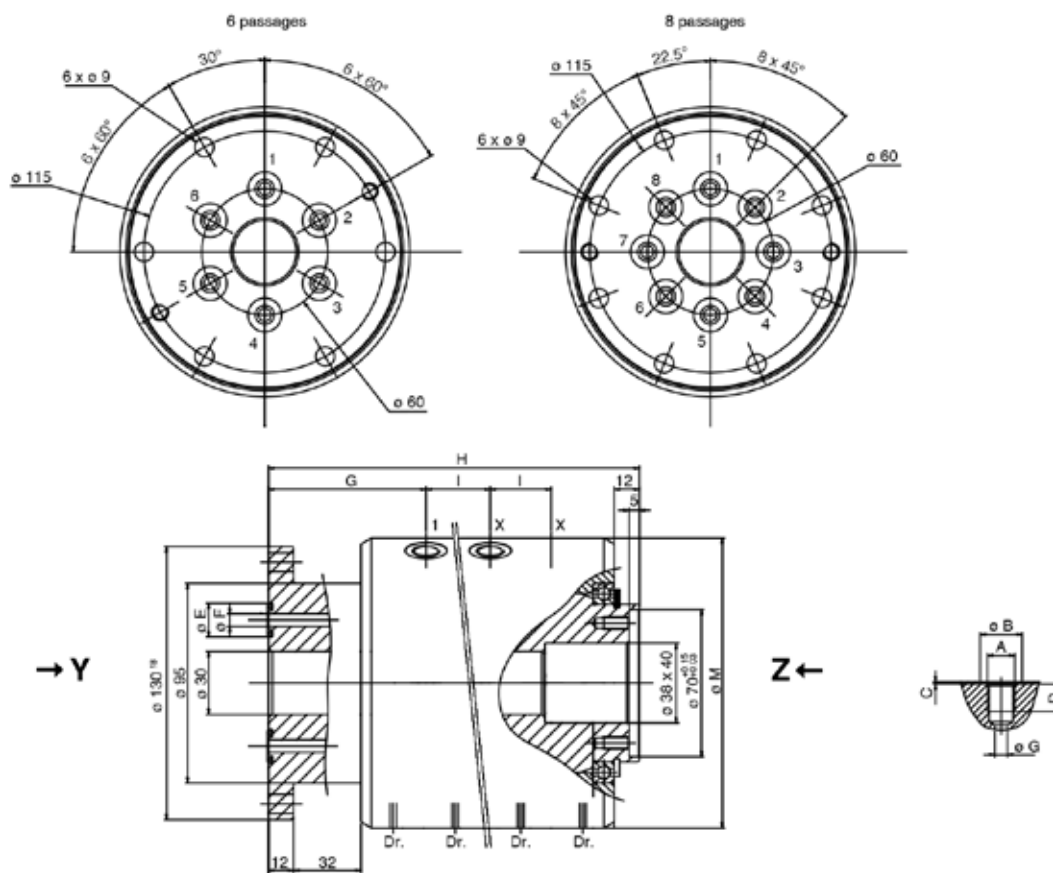
Product Codes

| Port size | Pass. # | Code |
|-----------|---------|-------------|
| G ¼” | 6 | CMB-L060801 |
| G ¼” | 8 | CMB-L080801 |
| G ⅜” | 6 | CMB-L061001 |
| G ⅜” | 8 | CMB-L081001 |
| G ½” | 6 | CMB-L061201 |
| G ½” | 8 | CMB-L081201 |

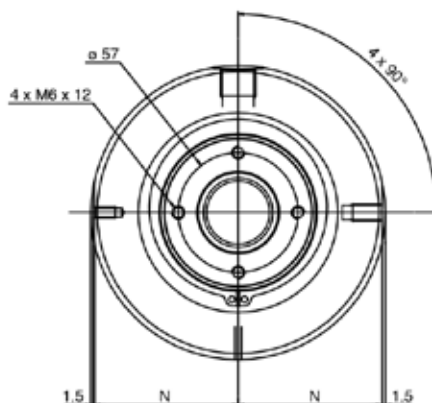


This series includes additional models.
For more information contact your nearest Deublin Division/Distributor or www.deublin.com

view from Y



view from Z



| Passage no. | DN | A | B | C | D | E | F | G | H | I | L | M | N |
|-------------|----|--------|----|-----|----|----|----|----|-----|----|----|-----|------|
| 6 | 6 | G 1/4" | 20 | 1 | 13 | 16 | 6 | 75 | 262 | 29 | 60 | 138 | 68 |
| | 10 | G 3/8" | 23 | 1.5 | 13 | 19 | 10 | 77 | 286 | 33 | 70 | 140 | 68.5 |
| | 12 | G 1/2" | 28 | 1.5 | 15 | 21 | 12 | 78 | 298 | 35 | 70 | 143 | 70 |
| 8 | 6 | G 1/4" | 20 | 1 | 13 | 16 | 6 | 75 | 320 | 29 | 60 | 138 | 68 |
| | 10 | G 3/8" | 23 | 1.5 | 13 | 19 | 10 | 77 | 352 | 33 | 70 | 140 | 68.5 |
| | 12 | G 1/2" | 28 | 1.5 | 15 | 21 | 12 | 78 | 368 | 35 | 70 | 143 | 70 |

This series includes additional models.
For more information contact your nearest Deublin Division/Distributor or www.deublin.com