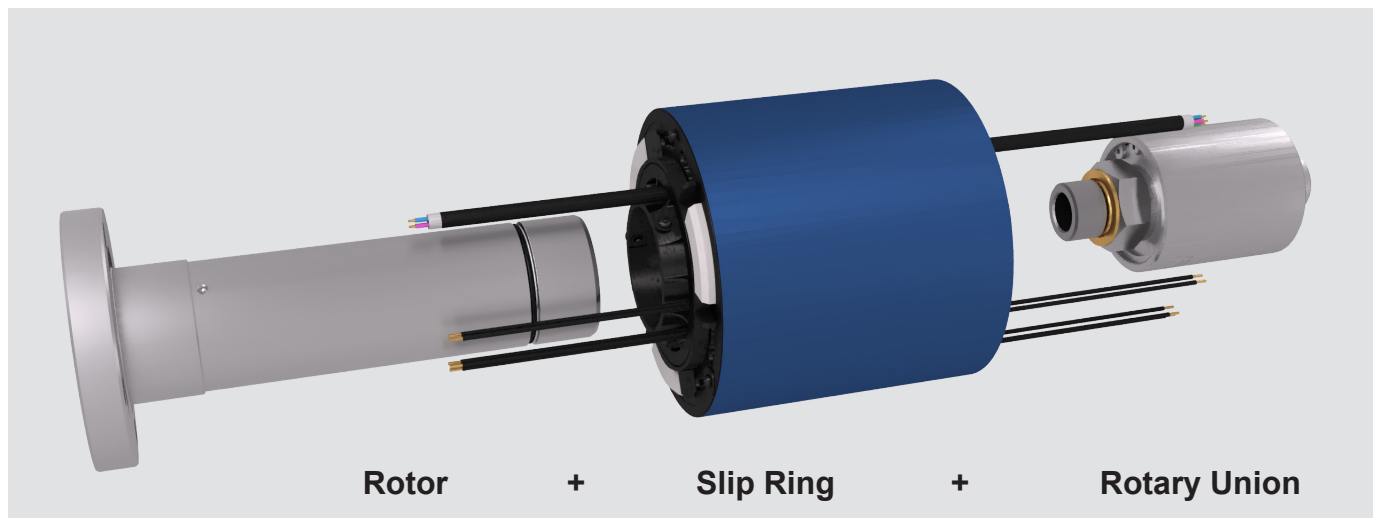


Challenging requirements? Easy Solutions with Modular Designs!

Many options at competitive prices and short lead times.



Chose your individual solution for data-, signal-, power- and fluid media transfer. Discover our wide range of slip ring models, rotors, rotary unions and adaptors.

**Step
1**

Select your basic slip ring model → Code 1

Max. Speed: 100 RPM

No.	Description	Channel #	Signal / Power 640 V		Digital / Ethernet / Data Protocol Polyfilament	Bore size- mm	Length mm	OD mm	Code 1	X = tick
			5A Channels	10A Channels	up to 100 Mbps					
1	SRT 25	5	–	–	5	25	110	88	ST02S00S00QC003	
2	SRT 50	5	–	–	5	50	110	130	ST05S00S00QC003	
3	SRT 25	6	–	6	–	25	110	88	ST02S00S06Q0003	
4	SRT 50	6	–	6	–	50	110	130	ST05S00S06Q0003	
5	SRT 25	7	4	3	–	25	118	88	ST02S04S03Q0003	
6	SRT 50	7	4	3	–	50	118	130	ST05S04S03Q0003	
7	SRT 25	11	–	5	6	25	150	88	ST02S00S05QA003	
8	SRT 50	11	–	5	6	50	150	130	ST05S00S05QA003	
9	SRT 25	12	–	12	–	25	158	88	ST02S00S12Q0003	
10	SRT 50	12	–	12	–	50	158	130	ST05S00S12Q0003	
11	SRT 25	13	8	5	–	25	166	88	ST02S08S05Q0003	
12	SRT 50	13	8	5	–	50	166	130	ST05S08S05Q0003	
13	SRT 25	13	4	3	6	25	166	88	ST02S04S03QA003	
14	SRT 50	13	4	3	6	50	166	130	ST05S04S03QA003	
15	SRT 25	17	6	5	6	25	198	88	ST02S06S05QA003	
16	SRT 50	17	6	5	6	50	198	130	ST05S06S05QA003	

Comment: Pure slip rings for data transfer have 5 channels. When data and power are transferred slip rings with 6 channels are installed to ensure better shielding.

Optional:

Select the connection to customer interface → Code 2

Step 2

Rotor					Air supply			X
No.	Description	Connection	for SR	Central Bore	Front	Back	Code 2	
1	Rotor Flange SRT 25	Flange 70 mm	Bolt pattern Ø 57 mm, 4x Ø 7 mm	1/2" Central Bore	RC 1/2"	NPT 1/2"	ST2-009-xx	
2	Rotor Flange SRT 25	Flange 70 mm	Bolt pattern Ø 57 mm, 4x Ø 7 mm	1/4" Central Bore	RC 1/4"	NPT 1/4"	ST2-008-xx	
3	Rotor Thread SRT 25	Thread 1/4"	–	1/4" Central Bore	–	NPT 1/4"	ST2-012-xx	
4	Rotor Flange SRT 50	Flange 100 mm	Bolt pattern Ø 85 mm, 4x Ø 7 mm	3/4" Central Bore	BSP 3/4"	BSP 3/4"	ST5-008-xx	
5	Rotor Flange SRT 50	Flange 100 mm	Bolt pattern Ø 85 mm, 4x Ø 7 mm	1" Central Bore	BSP 1"	BSP 1"	ST5-009-xx	

Last pair of numbers for code 2 = rotor length depending on no. of channels, please select here:

Rotor Length	Rotor Identifier	X
123	xx = 07	
171	xx = 13	
203	xx = 17	

Example:
 selected No. 2: ST2-008-xx
 with rotor length of 203 mm = 17

Code 2: ST2-008-17

Optional:

Select a rotary union for air supply to complete → Code 3

Step 3

Rotary unions for other media such as hydraulic, water upon request

1-channel rotary union for air supply						X
No.	Description	Rotor Connection	Hose Installation	Installation Length mm	Code 3	
1	Air Coupling	1/2" NPT	90°	35	P047862	
2	Air Coupling	1/2" NPT	0°	45	P047860	
3	Air Coupling	1/4" NPT	90°	35	P047861	
4	Air Coupling	1/4" NPT	0°	45	P047859	
5	Rotary Union Air Service	1/4" NPT	90°	68	1102-070-081	
6	Rotary Union Air Service	1/2" NPT	90°	102	1205-000-003	
7	Rotary Union Air Service	3/4" BSP	90°	109	255-091-284	
8	Rotary Union Air Service	1" BSP	90°	128	355-021-222	

Easy to order by indicating «code 1 + code 2 + code 3»

Which technical challenge are you facing right now? We are here to help!

We'd love to check how modular designs can be your solution. Otherwise there are very many individual customized solutions available.